



CLEAN CORNER SYSTEM

In partnership with cleaning professionals, Gerflor has developed the only floor-to-ceiling, smooth transition clean corner system available on the market.



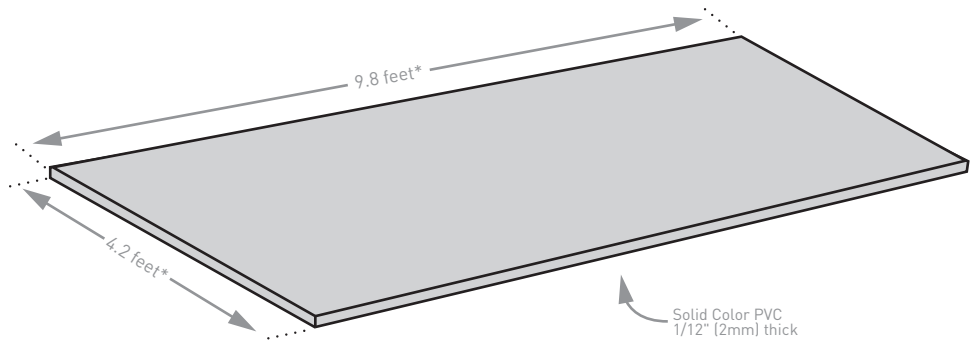
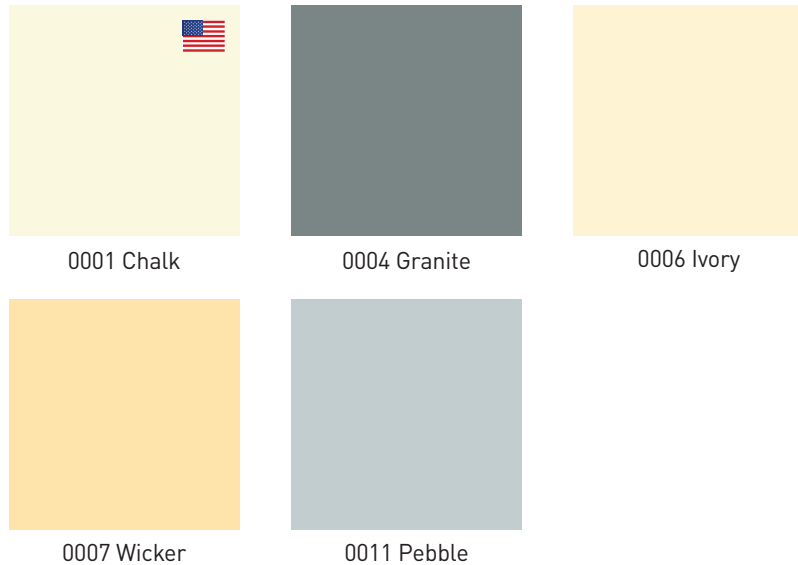
-  **WATERTIGHT**
-  **RESISTANT & DURABLE**
-  **CLEAN**
-  **VERSATILE**

*STERIS testing available upon request.

MIPOLAM WALL SPM DECOCLEAN

Developed for GMP Areas

Gerflor's Mipolam Wall SPM Decoclean Collection offers resilient homogeneous wall protection for cleanrooms and any area focused on decontamination and preventing infections (Level 4 on the Pasteur Scale), in a wide range of design options with a smooth finish. Ideal for cleanrooms, controlled environments, labs, intensive care units, sterile environments, and more.



- ▶ **Description:** 1/12" (2mm) thick, rigid, non-porous, antibacterial homogeneous resilient wall panels with smooth surface.
- ▶ **Hygienic:** Meets ISO 4 Cleanroom requirements, 100% antibacterial. Sterile environments: Can be welded to floors for a continuous floor-to-ceiling watertight room.
- ▶ **Low Maintenance:** Chemical resistant, durable, easy to install. Delivered with a peel-off protective film to avoid having to do a systematic cleaning after installation.
- ▶ **Sustainable:** REACH-compliant, GREENGUARD certified, low VOC, 100% recyclable, phthalates-free, non-polluting / non-toxic materials, no heavy metals.

*Chalk (0001) is stocked in the US in 4ft x 8ft and 4ft x 10ft panels.



Clean Corner System
Inside and outside corners



Floor (Mipolam, Taralay, etc.)



Mipolam SPM Wall Decoclean



CLEANER AND MORE ROBUST FACILITIES,
REGARDLESS OF THE CONFIGURATION AND USAGE CONSTRAINTS

MIPOLAM WALL SPM DECOCLEAN TECHNICAL DATA SHEET

DESCRIPTION	STANDARDS	DECOCLEAN
PRODUCT DESCRIPTION		
Description		Non-porous antibacterial decorative rigid wall panels providing protection and extending the life of walls. Can be installed vertically or horizontally and can be welded to the floor for continuous floor to wall solution for acute hygienic installations.
Emboss		Smooth surface for highly hygienic areas
Standard Width and Length		4.265 feet (1.3 m) x 9.8 ft (3 m)
Other Width and Length		4 feet x 8 feet or 4 feet x 10 feet
Total Thickness		0.08 inch (2 mm)
Weight		0.57 lbs/sqf (2.8 kg/sqm)
PERFORMANCE		
Impact Resistance (Gardner Impact)	ASTM D5420	Meets requirements
Maximum Impact Resistance Limit		705 lbs at 1.86 miles/hour (Resists 20 320 kg at 3 km/h impacts)
Impact Resistance	ISO 8256	443 KJ/m ²
Stain Resistance	ASTM D543	Meets requirements
Chemical & Stain Resistance	ASTM F925	Meets requirements
Antibacterial	ASTM G21	Meets requirements
Cleanroom	ASTM F51/F68	Meets requirements Class A - non-shedding
Fire Rating (Surface Burning)	ASTM E-84	Class A
ENVIRONMENT HEALTH & SAFETY		
Indoor Air Quality / Low Emitting Materials	EQc2 LEED v4	GREENGUARD
Low VOC - TVOC After 28 Days	ISO 160000-6	< 15µg/m ³
Antibacterial Activity: Combats MRSA, E. coli and S. aureus*	ISO 22196	Inhibits spread of infection at 99%
Restriction Use of Harmful Chemicals	MRc4 LEED v4	Complies with REACH
Allergen Free		OK
Plant Certifications		ISO 14001, ISO 9001
Production Waste	MRc3 LEED v4	100% Manufacturing Waste Recycled
End of Life		100% recyclable
WARRANTY	10-year limited manufacturer warranty when installed in accordance with Gerflor USA's installation instructions available on www.gerflorusa.com .	

*The implementation of an effective cleaning method is the best defense against infection.

All panels are in stock in standard sizes (4.2 feet x 9.8 feet) in France. Allow 10–12 weeks transit time.

For special orders of 4 feet x 8 feet panels, allow an additional two weeks. No minimum required.

For 4 feet x 10 feet panels, add four weeks. Minimum quantity per color: 300 panels.